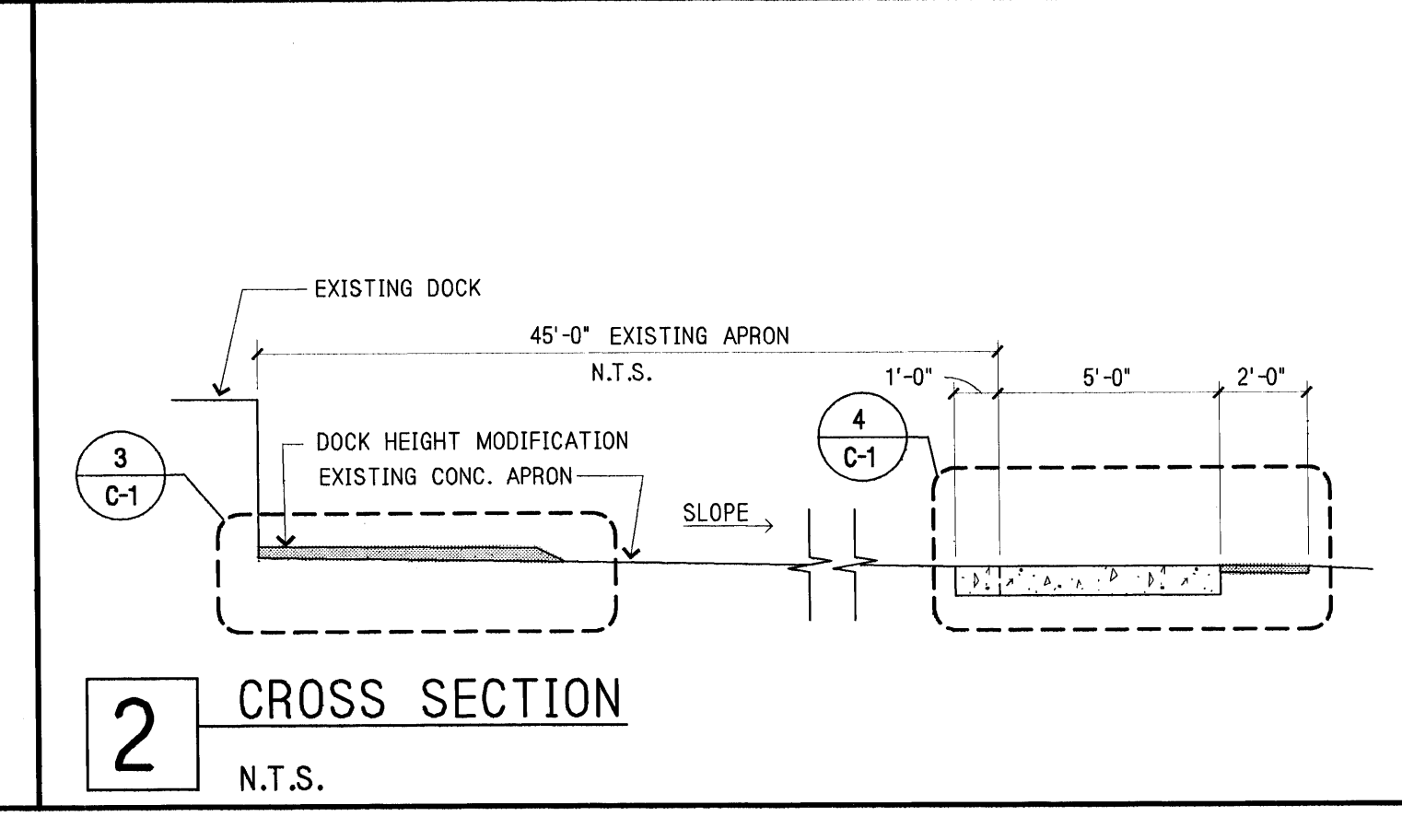
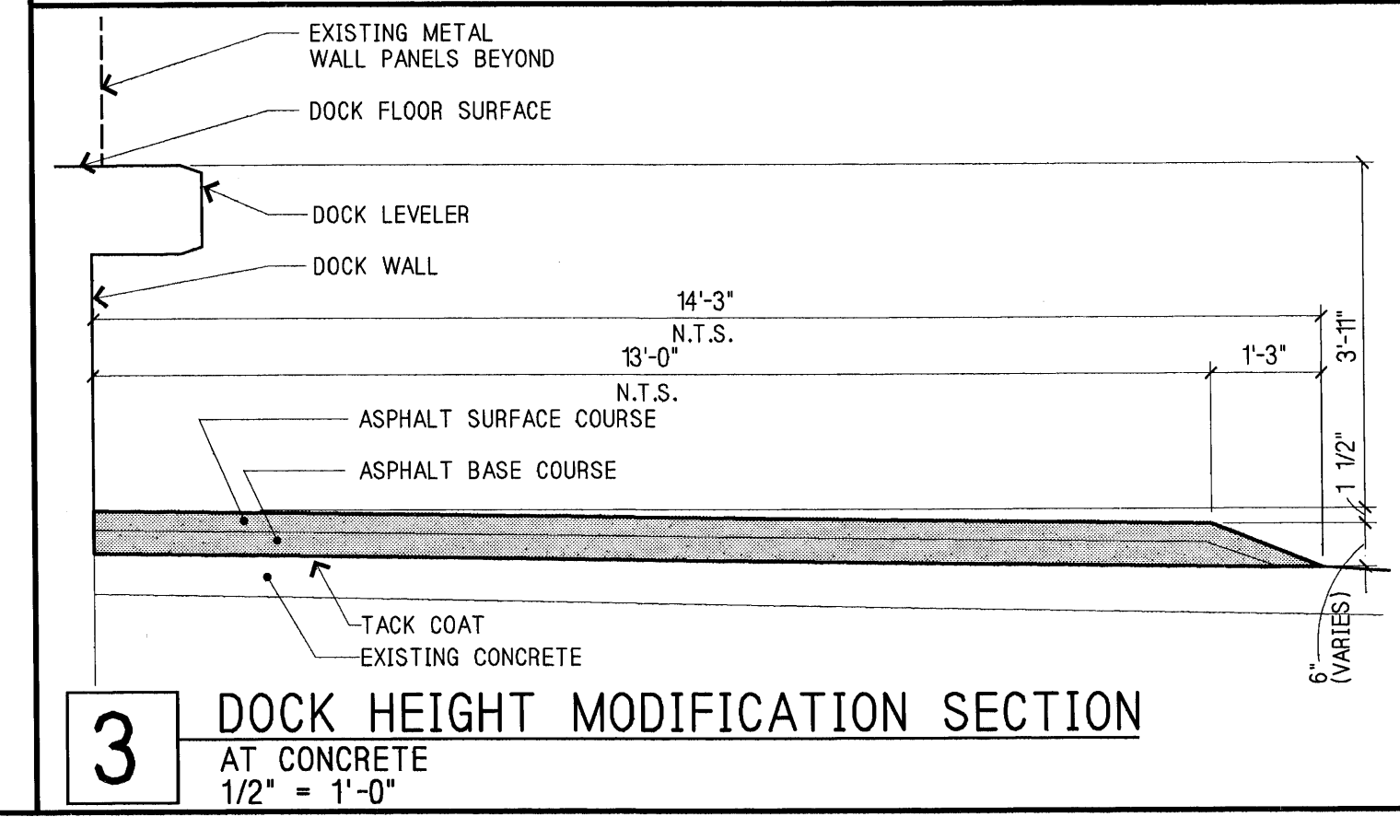
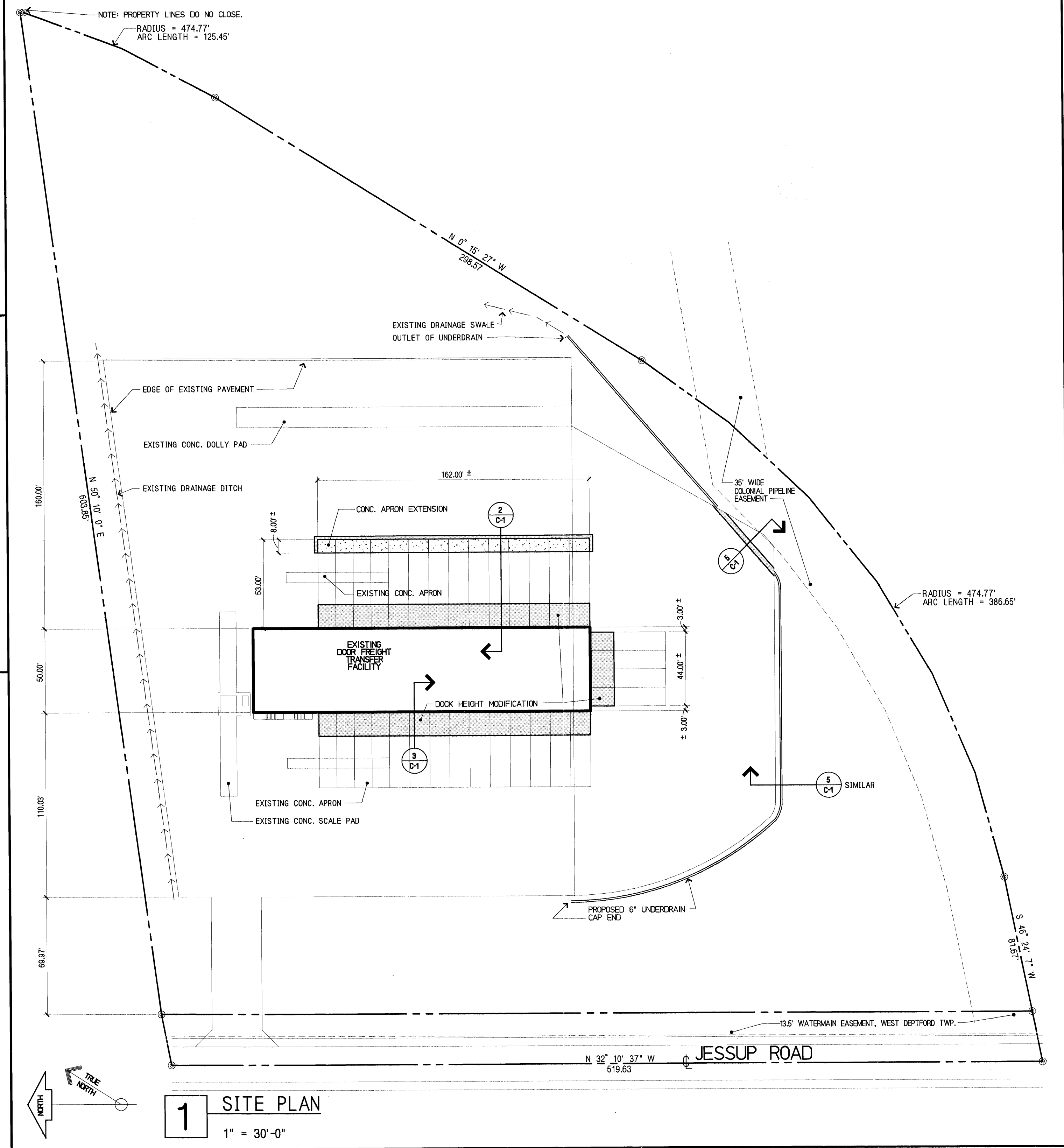
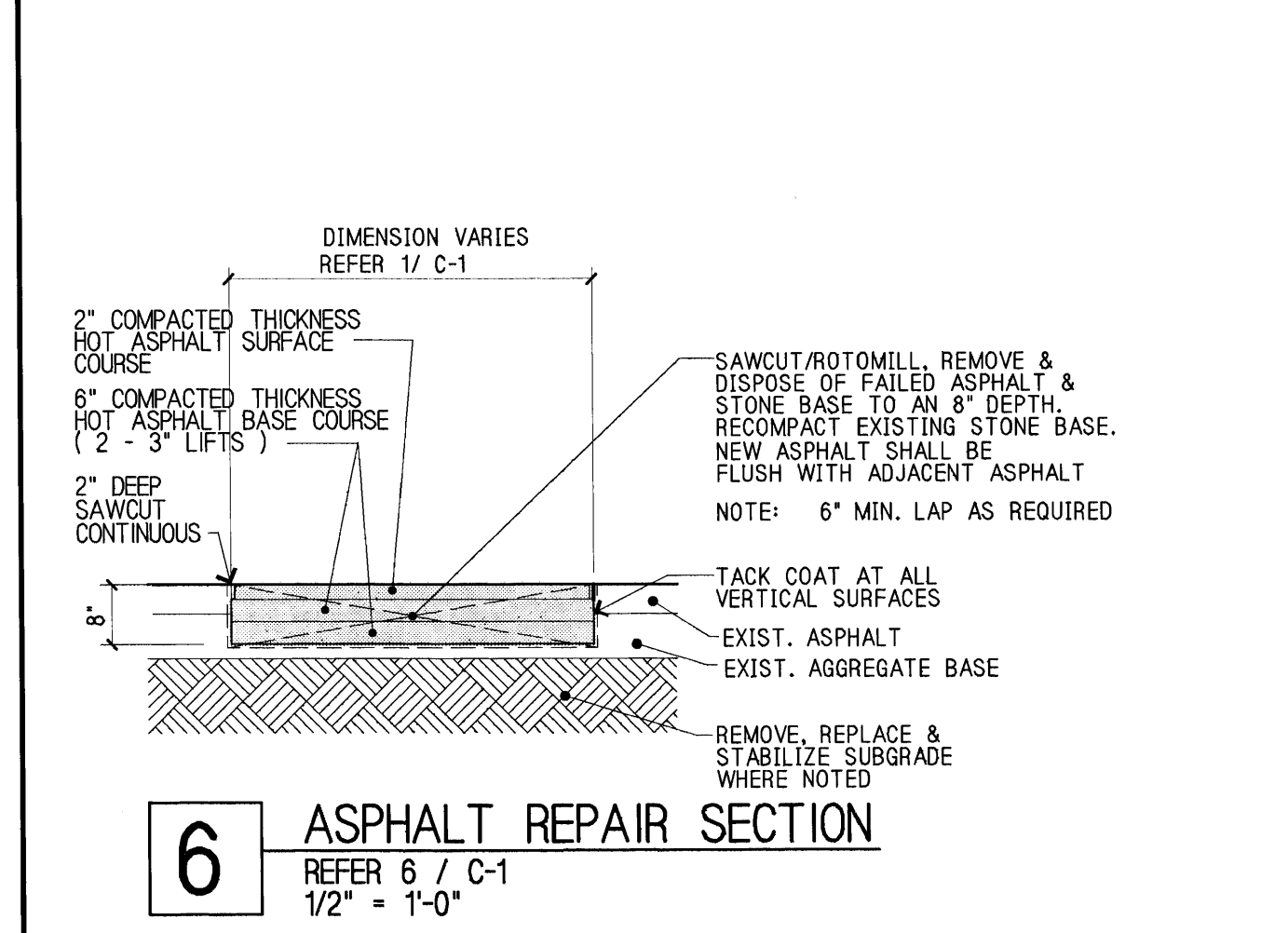
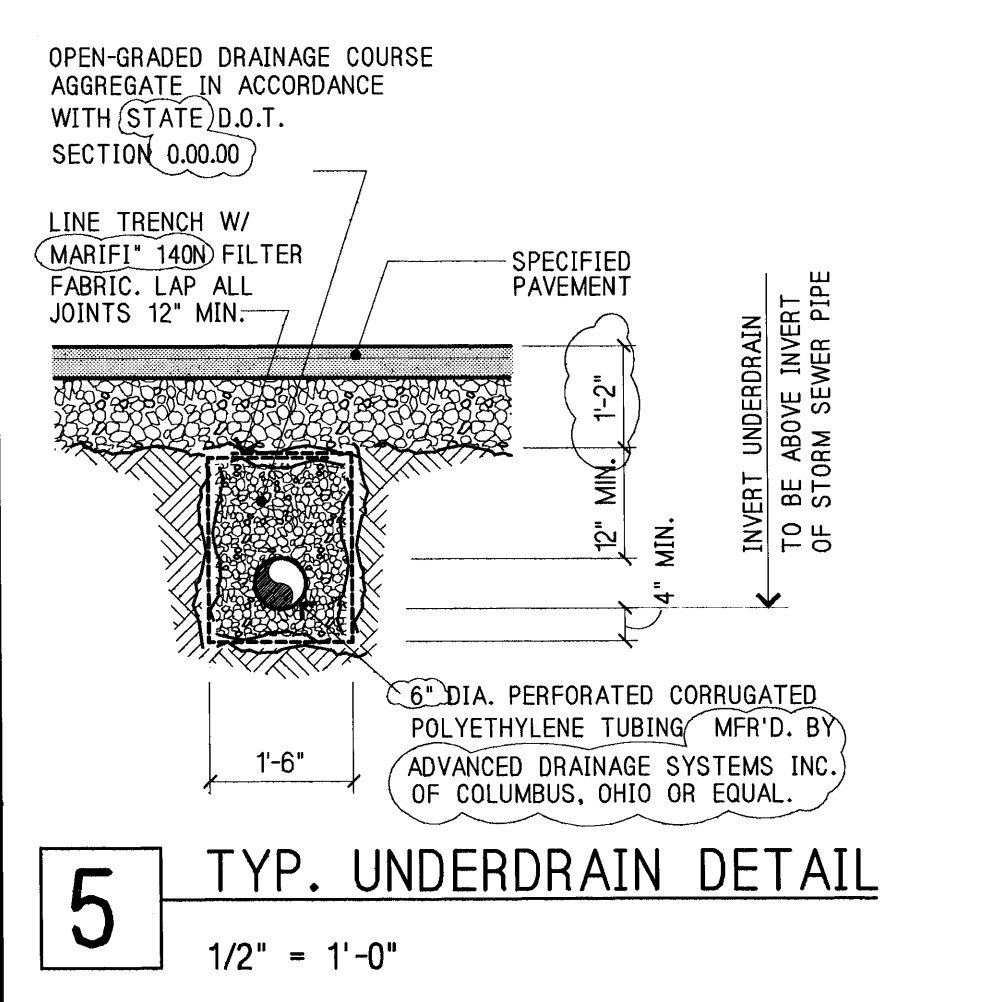
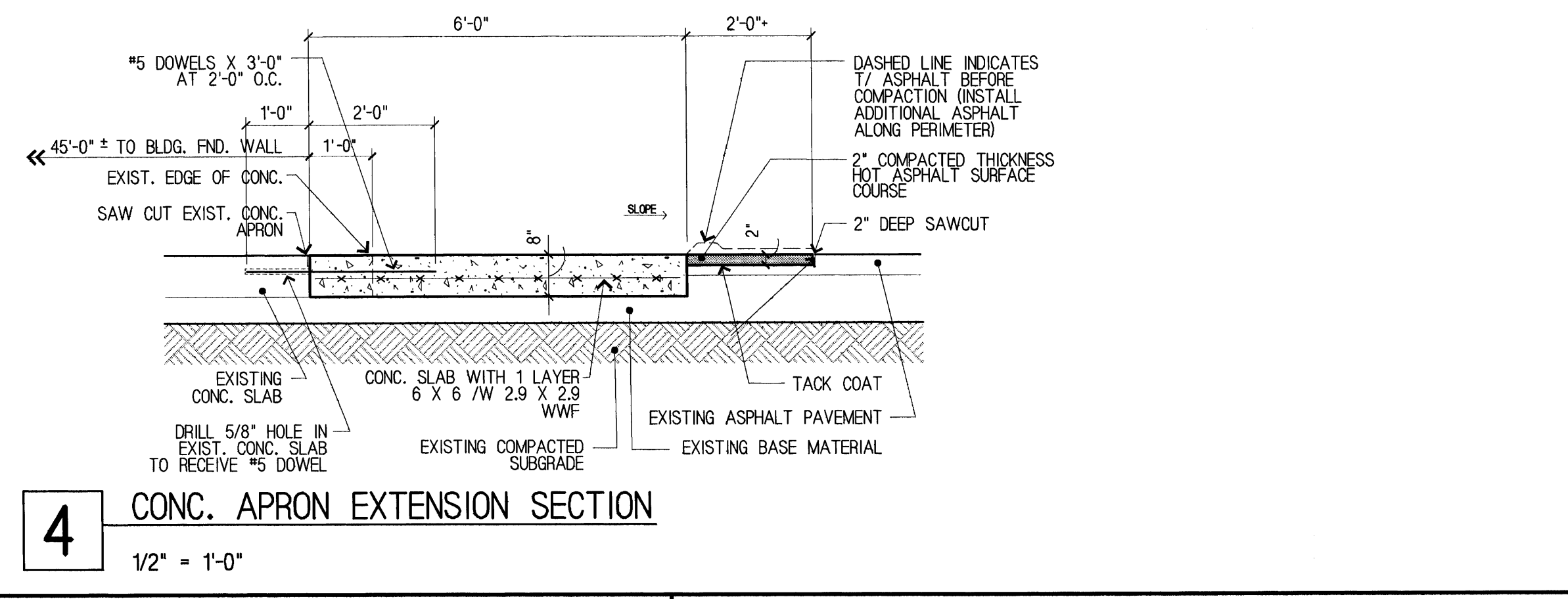


CAMDEN, NEW JERSEY



LEGEND

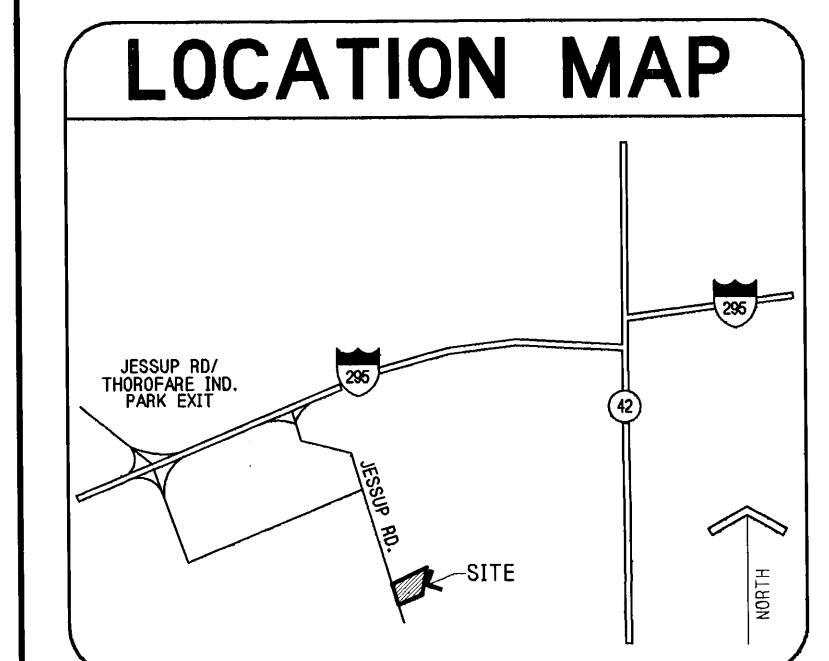
IN SECTION

- 4" TOPSOIL (MIN.) EARTH OR COMPACTED FILL
- STONE BASE
- CONCRETE
- ASPHALT PVMT. SURFACE COURSE
- ASPHALT PVMT. BINDER COURSE
- OTHERS AS NOTED

IN PLAN

- EXISTING PAVEMENT TO REMAIN
- ASPHALT PAVEMENT REFER 3 / C-1
- CONCRETE PAVEMENT REFER 5a / C-1

- GENERAL NOTES :**
- THE CONTRACTOR SHALL BE RESPONSIBLE FOR FIELD VERIFYING AND / OR LOCATING ALL EXISTING CONSTRUCTION ASSOCIATED WITH THE WORK. IF AT ANY TIME THE EXISTING CONDITIONS ARE FOUND TO DIFFER WITH THE DRAWINGS, THE CONTRACTOR SHALL NOTIFY THE OWNER AT ONCE TO DETERMINE IF MODIFICATIONS ARE REQUIRED.
 - ALL REPAIR AREAS HAVE BEEN SPRAY PAINTED ORANGE. FIELD VERIFY SIZES.



ROADWAY EXPRESS, INC.
ROUTE #3, BOX 87
THOROFARE, N.J.

REVISIONS

JOB NO. X05300
DATE 9/7/95
DRAWN BY B.T.H.
CHECKED BY C.E.S.

REB459

ROADWAY SERVICES, INC.
AKRON, OHIO 44370

ROADWAY EXPRESS, INC.
877 GORGE BLVD.

(#128)

YARD IMPROVEMENTS FOR
ROADWAY EXPRESS, INC.
CAMDEN (THOROFARE), N.J.
SITE PLAN & DETAILS

ROUTE #3, BOX 87
THOROFARE, N.J.

C-1